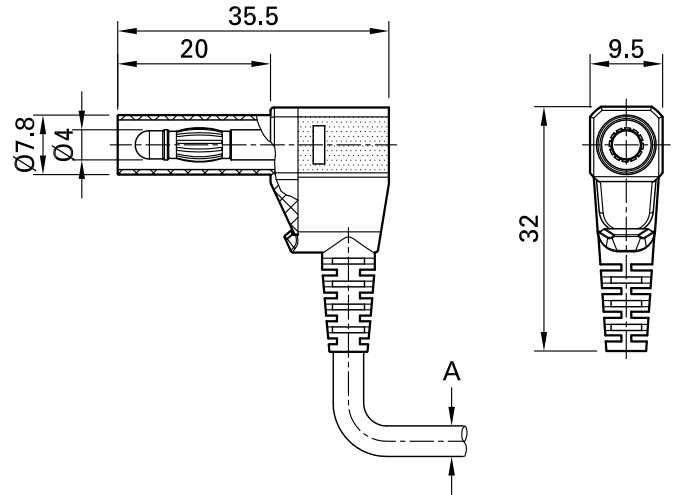


SLS425-SW/A



Item number 22.2668-*

Right-angled, Ø 4 mm, with spring-loaded MULTILAM, for self-assembly of test leads. With rigid insulating sleeve. Gold-plated version. Solder connection.

Technical data	
Diameter of plug system	4 mm
Rated Values	500 V, CAT II, 32 A
Surface treatment electrical contact	Au
Base material electrical contact	CuZn
Standard color(s) *	21 22
Optional color(s)	20 23 24 25 26
Outer diameter	3.9 mm
Test accessory acc. to	IEC EN 61010-031
Component parts	KT425-SW; LS425-SW/A