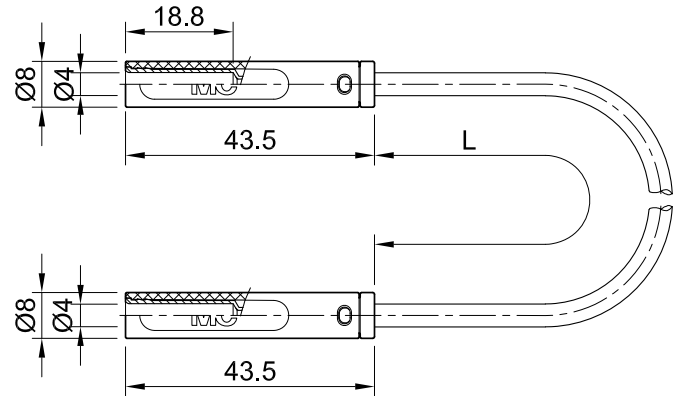


# AB-4A-F10



Item number 64.1072-\*

Highly flexible, with Ø 4 mm rigid sockets on both ends.

Technical data	
Diameter of plug system	4 mm
Rated Values	30 V, 19 A / 60 V, 19 A
Surface treatment electrical contact	Au
Base material electrical contact	CuZn
Standard color(s) *	<input type="checkbox"/> 21 <input type="checkbox"/> 22
Optional color(s)	<input type="checkbox"/> 20 <input type="checkbox"/> 23 <input type="checkbox"/> 24 <input type="checkbox"/> 25 <input type="checkbox"/> 26 <input type="checkbox"/> 27 <input type="checkbox"/> 28 <input type="checkbox"/> 29
Lead lengths <input type="text"/>	100 cm
Lead insulation	PVC
Lead cross section	1,0 mm <sup>2</sup>
Test accessory acc. to	IEC EN 61010-031
User-Information	I 096