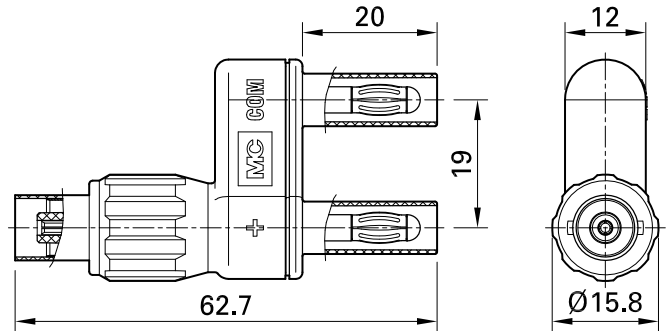
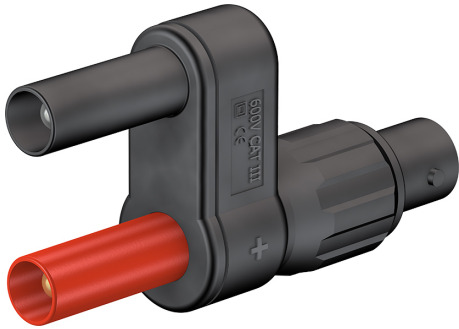


# XF-SS/4



Item number 67.9537-

Two-pole touch-protected adapter with Ø 4 mm connectors linked to the BNC system. Version with BNC female and Ø 4 mm MULTILAM plugs with rigid insulating sleeve. The contact socket of the inner conductor of the BNC connector is in gold-plated brass.

Technical data	
Rated Values	600 V, CAT III / 1000 V, CAT II
Surface treatment electrical contact	Au; Ni
Test accessory acc. to	IEC EN 61010-031
Approvals	UL, CE