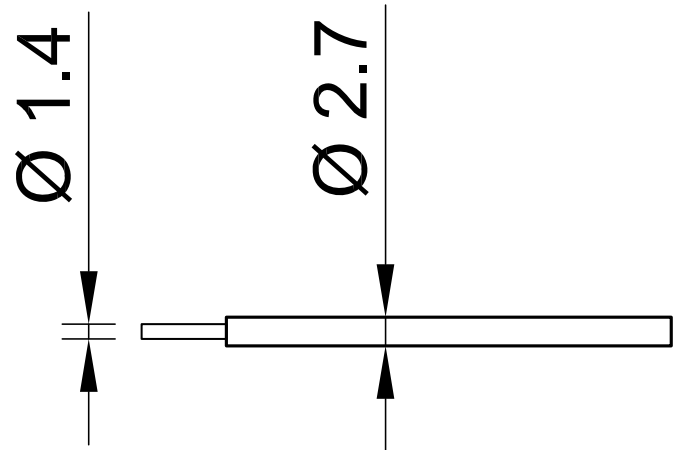


# FLEXI-E 1,0



Item number 60.7008-\*

Highly flexible basic insulated stranded wire 1,0 mm<sup>2</sup>.

Technical data	
Rated Values	AC 750 V, 19 A
Standard color(s) *	<span style="background-color: #90EE90; padding: 2px;">20</span> <span style="background-color: #000000; padding: 2px;">21</span> <span style="background-color: #FF0000; padding: 2px;">22</span> <span style="background-color: #0000FF; padding: 2px;">23</span> <span style="background-color: #FFFF00; padding: 2px;">24</span>
Lead insulation	PVC
Temperature range	-10 °C ... +70 °C
Strand design (n x Ø mm)	259 x 0,07
Lead weight	15.0 kg/km
Conductor diameter	1.4 mm
Cable diameter	2.7 mm
Insulation thickness	0.65 mm
Approvals	CE, UKCA, EAC