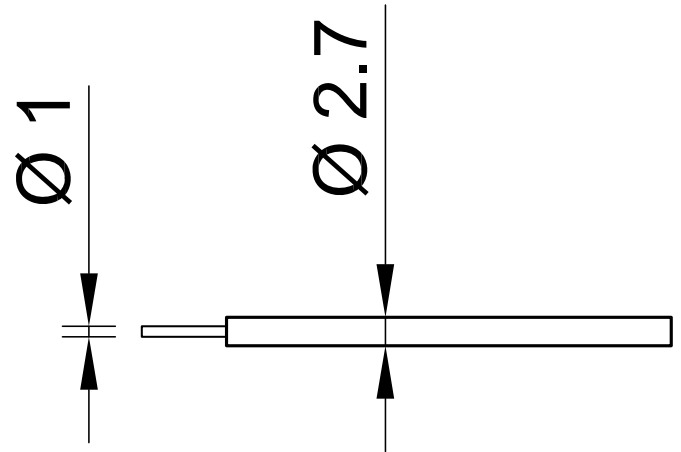


# SILI-1V 0,50



Item number 61.7605-\*

Super flexible stranded wire 0,50 mm<sup>2</sup> with reinforced insulation.

Technical data	
Rated Values	AC 1000 V, 12 A / DC 1500 V, 12 A
Standard color(s) *	21 22 23 24 25 29
Lead insulation	SIL
Temperature range	-50 °C ... +90 °C
Strand design (n x Ø mm)	256 x 0,05
Lead weight	10.0 kg/km
Conductor diameter	1.0 mm
Cable diameter	2.7 mm
Insulation thickness	0.85 mm
Approvals	UR, CE, UKCA, EAC