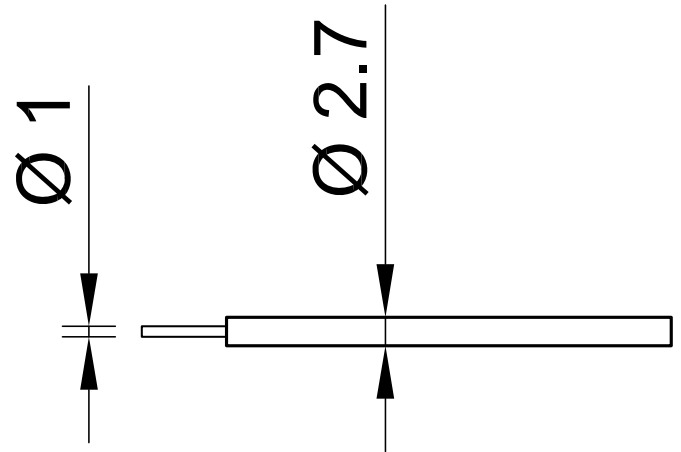
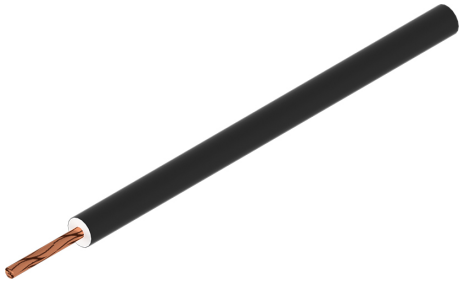


# SILI-2V 0,50



Item number 61.7662-\*

Super flexible stranded wire 0,50 mm<sup>2</sup> with reinforced, double-layer insulation for the highest safety.

| Technical data           |                                                                                                                                                                                                                                     |
|--------------------------|-------------------------------------------------------------------------------------------------------------------------------------------------------------------------------------------------------------------------------------|
| Rated Values             | AC 1000 V, 12 A / DC 1500 V, 12 A                                                                                                                                                                                                   |
| Standard color(s) *      | <span style="background-color: black; color: white; padding: 2px;">21</span> <span style="background-color: red; color: white; padding: 2px;">22</span> <span style="background-color: blue; color: white; padding: 2px;">23</span> |
| Lead insulation          | SIL                                                                                                                                                                                                                                 |
| Temperature range        | -50 °C ... +90 °C                                                                                                                                                                                                                   |
| Strand design (n x Ø mm) | 256 x 0,05                                                                                                                                                                                                                          |
| Lead weight              | 10.0 kg/km                                                                                                                                                                                                                          |
| Conductor diameter       | 1.0 mm                                                                                                                                                                                                                              |
| Cable diameter           | 2.7 mm                                                                                                                                                                                                                              |
| Insulation thickness     | 0.85 mm                                                                                                                                                                                                                             |
| Approvals                | UR, CE, UKCA, EAC                                                                                                                                                                                                                   |