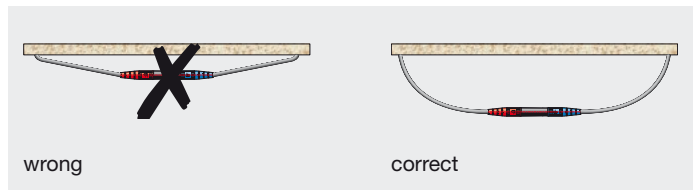
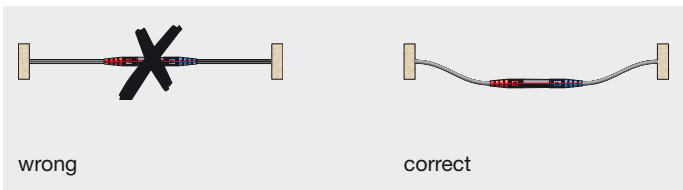


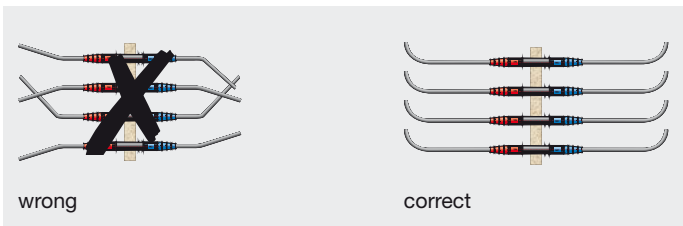
Points that must be observed when planning the use of a Stäubli connector!

1. No transverse forces must be exerted during connection and disconnection.

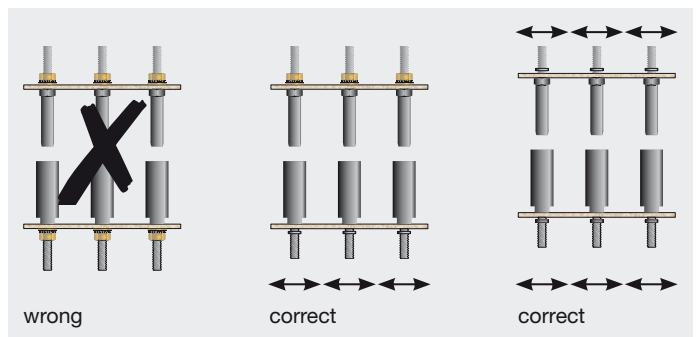
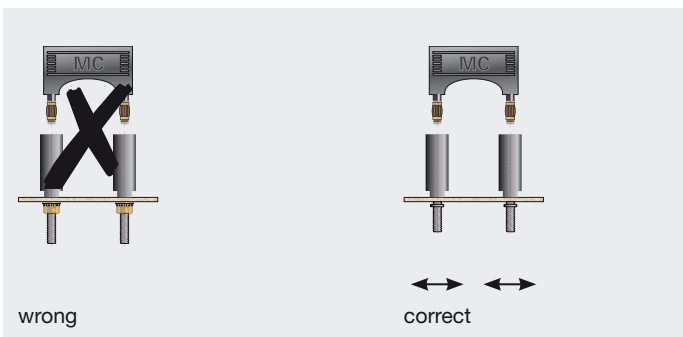
2. The leads or cables must be of adequate length.



3. If a number of plug connectors are located side by side, crossing of the leads should be avoided as far as possible. The leads and cables must be of adequate length.



4. In the case of multi-pole plug connectors, at least one side (socket or plug side) or both sides must be provided with a “floating” mounting that is capable of absorbing all design tolerances.



5. Heavy connectors need to be supported or the plugged side must be float mounted.

