

FAST MOVING TECHNOLOGY

STÄUBLI

SBG compact blowgun

Compressed air



Compact safety blowgun

US Patent 9511380
and other countries



Stäubli constantly aims to improve its products and enhance operator safety. With this in mind, it has developed four compact models combining safety, compact size and strength for high-performance blow-down. The ideal partner for quick-release couplings, these blowguns can adapt to all types of application.

Non-scratch

Body and blow-down point both designed to prevent the risk of scratching delicate surfaces (paint, furniture...).

Practical

Blowgun can easily be hung on the parking bracket, which incorporates a break-away function, using the ring or lever.

Quickly transforms a quick-release coupling into a safety blowgun

- Direct connection to all 6-mm diameter Stäubli compressed air quick-release couplings for fast, easy incorporation into your installation.
- Coupling acts as blowgun handle.

Easy to use

Carefully designed to combine lightness and comfortable handling.

Stäubli plug fitting built into blowgun

Designed for the entire range of 6-mm diameter Stäubli compressed air quick-release couplings.



Robust and reliable

- High strength composite material withstands impacts and dropping.
- Perfect seal even with intensive use, for optimum blow-down every time.

Adjustable, optimised air jet

- Highly sensitive lever allows for genuinely adjustable air jet as soon as the compressed air circuit is opened.
- Blowgun shape allows the air jet to be directed as an extension of the arm and hand, without uncomfortable wrist positioning or fatigue, for excellent user comfort.

Applications

- Workstation cleaning.
- Blow-down of machined parts and machining stands.
- Removing dust and drying parts on production, assembly, inspection and tooling stations...

For all types of industry including mechanical, electrical, automotive, timber, plastics, and laboratories.

Four blowgun models for four nozzle types



MIK safety blowgun with protective air shield

Protective air shield prevents shavings and dust from blowing back onto the operator.

SIL silent safety blowgun

Combines air jet strength and reduced noise level for operator comfort.

OSHA safety blowgun with Venturi effect

Combines air jet strength and safety.

- Foolproof internal mechanism in the event of direct contact with skin: two lateral exhaust holes instantly reduce outlet pressure.
- Saves energy by using outside air.

ZEP Zéphir conventional blowgun

Basic model for direct, concentrated blow-down.

Technical specifications

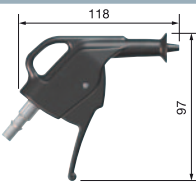
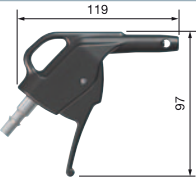
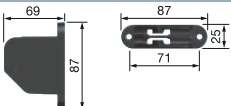
	MIK	SIL	OSHA	ZEP
Consumption at 6 bar (Nm ³ /h)	25	10	13	14
Air jet strength at 6 bar (g)	131	165	260	286
Noise level (dBA)	87	74	87	85
Maximum allowable pressure PS (bar)	12			
Minimum and maximum allowable temperatures TS (°C)	- 15 to + 70			
Blowgun weight (g)	70			


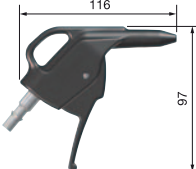
Construction

- Composite blowgun.
- NBR seals.
- 13% chrome stainless steel fitting

Part numbers

Blowguns fitting: Stäubli profile 6-mm diameter plug

Model	Part number
 MIK safety blowgun with protective air shield	SBG 06.6000/MIK
 OSHA safety blowgun with Venturi effect	SBG 06.6000/OSHA
 Bracket	R04190001

Model	Part number
 SIL silent safety blowgun	SBG 06.6000/SIL
 ZEP Zéphir conventional blowgun	SBG 06.6000/ZEP



The opportunity to spend less and contribute to a sustainable development programme

With Stäubli, you can rely on the performance of your equipment and reliability of long-term investments.



■ Stäubli Units ○ Representatives/Agents

Global presence of the Stäubli Group

www.staubli.com