

TRANSFER MODULE FOR ROBOTIC TOOL CHANGER

DuraDock Ultra - your key to efficient ultrasonic technology



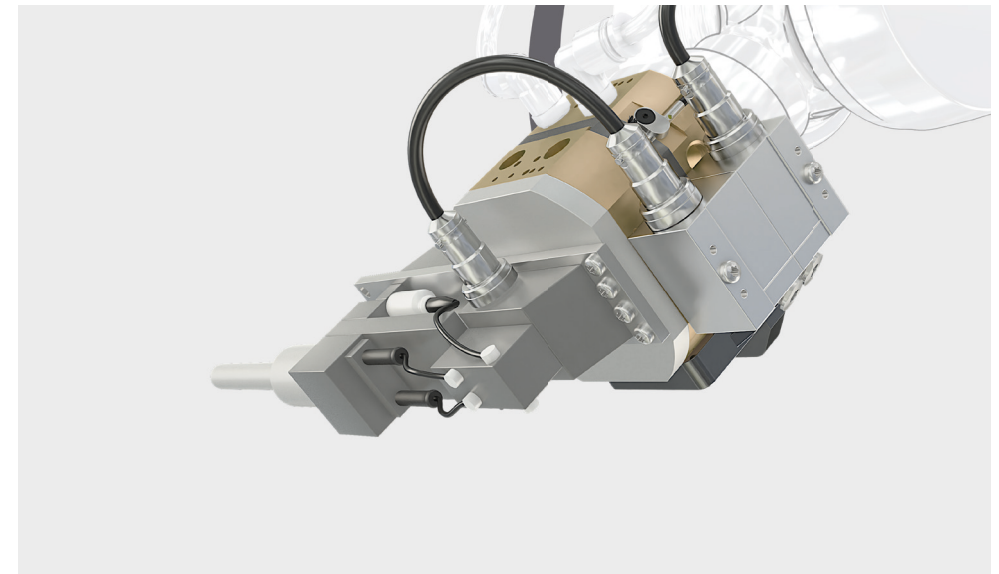
Compact & flexible: With its compact and space-saving design, the DuraDock Ultra ensures maximum freedom of movement for the robot and can be used extremely flexibly thanks to the 180° rotary cable outlets.



Maximum payload: Thanks to its low weight, the DuraDock Ultra optimises the payload utilisation of smaller robots, when used in conjunction with the appropriate tool changer, thereby increasing the efficiency and productivity of the entire system.



Modular: The DuraDock Ultra module is available for all Stäubli robot tool changers with a payload of 10-2500 kg. Our sophisticated common parts strategy enables the module to be used across all series, effectively reducing your inventory costs.



Robust and reliable transmission: The DuraDock Ultra can handle rated voltages of up to 3500 VDC at frequencies of up to 30 kHz, making it suitable for demanding ultrasonic welding applications.



Safe & reliable: Designed for applications with high electrical requirements with up to 10 A current, the DuraDock Ultra offers maximum safety and reliability.



TRANSFER MODULE FOR ROBOTIC TOOL CHANGER

DuraDock Ultra - Technical data

	Order no.	Pole	Connection (x)	Voltage / Frequency	Impedance	Electricity	Protection class
R	33004425	1	SHV	1500 VDC bis 40 kHz 2000 VDC bis 30 kHz 3500 VDC*	50 Ohm	max. 10A	IP30
T	33004424						

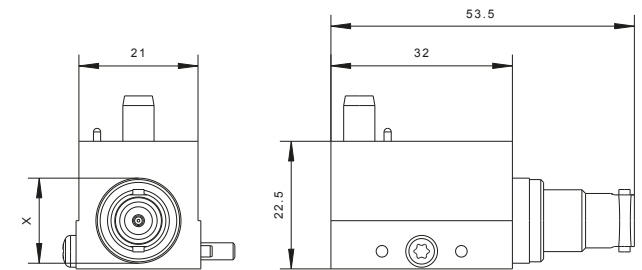
* Up to 3500 V possible (at relative humidity 30 %, ED 10 % and frequency < 30 kHz).



Applications & Markets:

- Designed for ultrasonic applications, especially ultrasonic welding
- Use in various industrial sectors such as: Automotive / Medical / Electronics / Packaging / Textiles / Consumer Goods

R
Robot side



T
Tool side

